

HE-5333

Walkthrough Gate

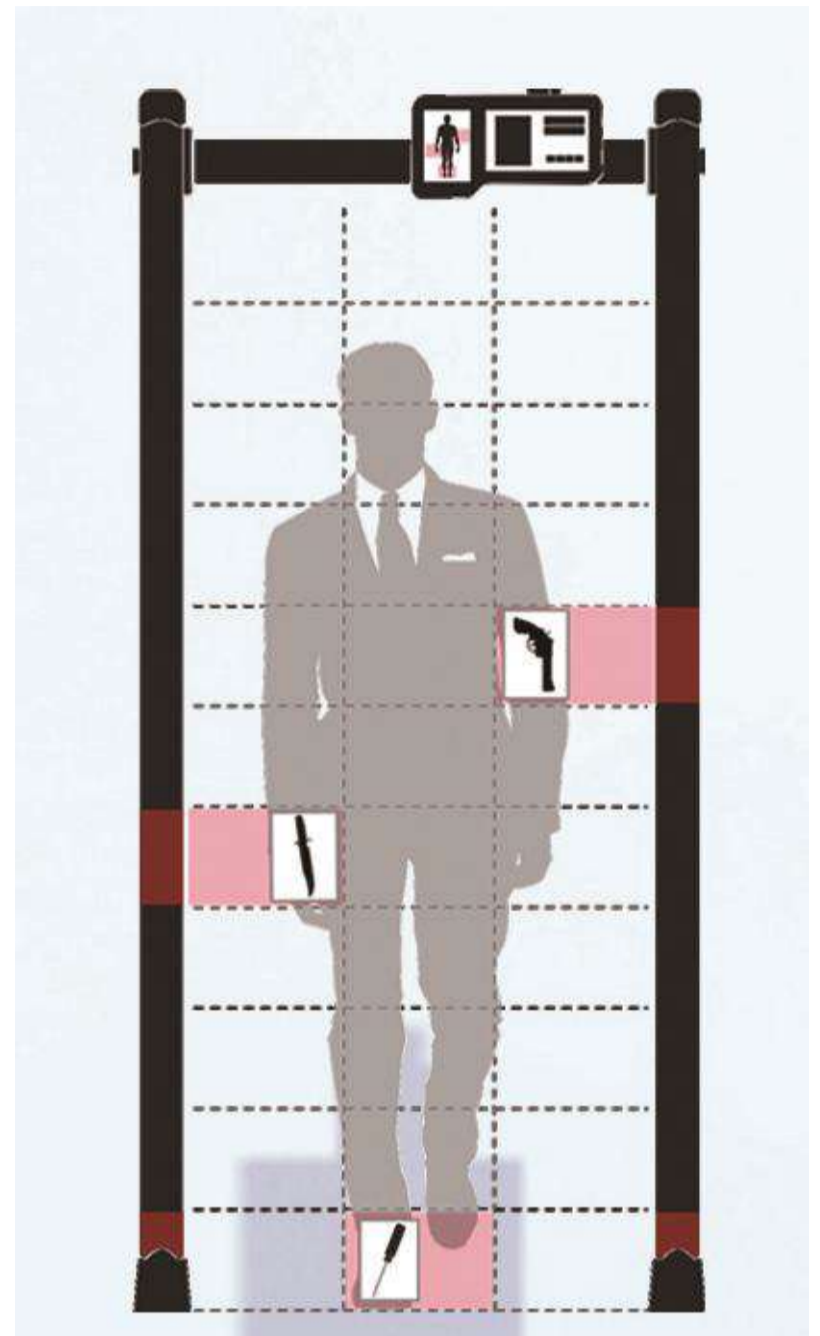


Device Performance

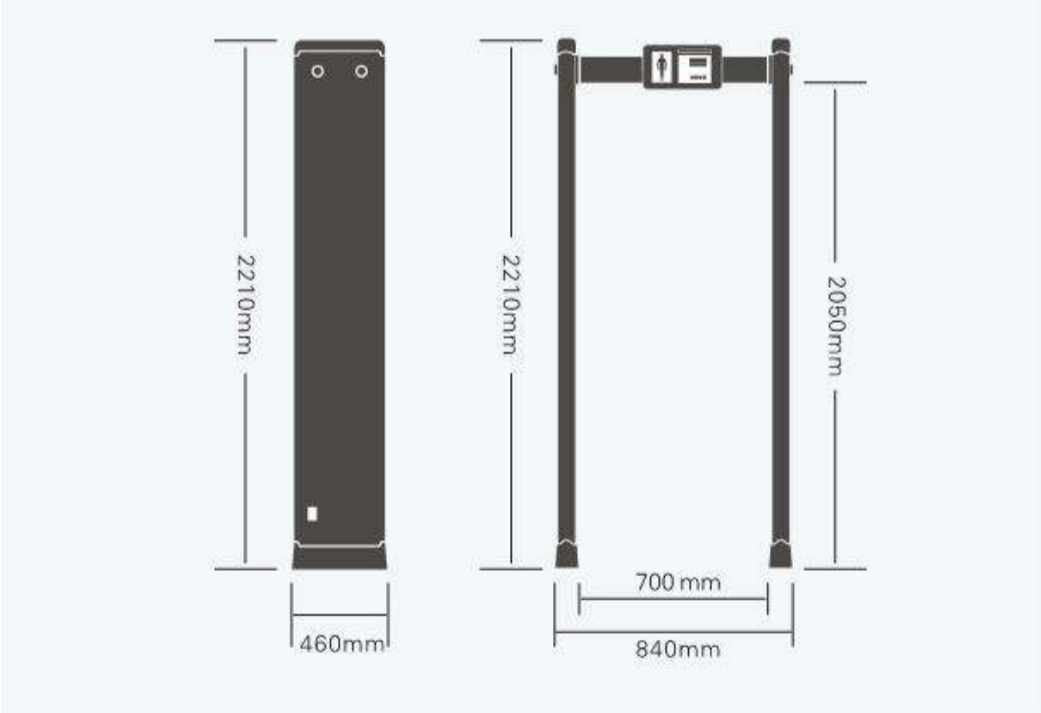
- The system has the function of displaying envi
- With system networking which can manage m
- Preset metal items weight, volume, size, parts
- Comply with EMC electromagnetic radiation s wearers, pregnant women, floppy disk, film, video

Schematic Diagram of defense area

Unique continuous partition technology,



Product Dimension



Technical Parameters

Product Model	2018 New LCD
Vertical Dimension	2210×840×460mm
Vertical Aisle Dimension	2050×715×460mm
Packing Dimension	2295×700×200mm
Net Weight	38KG
Gross Weight	43KG
Operating Voltage	AC90V~240V 50 / 60Hz
Power Consumption	12W
Operating Frequency Range	1—50 Bands
Working Environmental Temperature	-20℃ ~ 65℃
Installation Environment	(W)100cm*(L)200cm(metal-free minimum range)Sheet Transverse
Regional Detect Metal Precision Range	Maximum Sensitivity≥10g Metal

Technical Standard

Electrical refer to EN60950 safety standard	Compliance
Radiation refer to EN50081-1 standard	Compliance
Anti-interference refer to EN50082-1 standard	Compliance
Implementation GB15210-2003 Walk through metal detector standard	●
Enterprise through ISO9001:2008 quality management system certification	●
Enterprise through OHSAS 8001 Occupational health certification	●
Enterprise through ISO14001 environmental management	●
Products through the EU CE certification	●

Functional Configuration

Portable metal can be excluding	●
5.7-inch LCD display / Rectangle	●
Integrated four-button panel operation mode	●
One-button remote control operation mode	○
Multi networking interface	○
External control warning device port	○
Secondary development port/upgrade port	○
Pass people statistics function	●



Alarm statistics function	●
Query function of people in and out	○
password protection	●
Multi-location simultaneous detection and alarm function	●
Detection and intelligent distinction of large items	●
Super brightness patch intelligent partition alarm indicator light	●
Ultra-brightness patch double row regions indicator light	●
50 optional working frequency bands	●
Alarm sound mute mode	●
Alarm volume adjustable mode	●
Multiple alarm sound selection modes	●
Front and rear single region alarm indicator light	○
Infrared start and stop function	●
Front bilateral region alarm indicator light	●
Front and rear four regions alarm indicator light	○
The sensitivity of each detection defense zone can be adjusted	●
Each zone sensitivity 0-255 adjustable	●
Safety level 0-100 optional	●
Independent 12 probe interactive 6 sector	○
Independent 12-probe interactive 12-18 sector/optional	●
Battery life:2 hours/optional	○
Battery life:8 hours/optional	○
Multiple quick setup scenarios	●
Recover factory setting	●
Note: "●" in the table means this configuration is available," ○ "means optional.	

